



TECHNICAL SHEET

SIATA
VALVE V250





SIATA V250



TECHNICAL CHARACTERISTICS

- 2 versions available: with or without by-pass
- Top mounted valve
- Up to 21 m³/h flow rate
- Quick pilot connections
- Suitable for residential and commercial softening, demineralisation, dealkalisation applications, as well as filtration systems
- Compatible with most of the SIATA controller range

TECHNICAL SPECIFICATIONS

VALVE SPECIFICATIONS

Material	ABS + 17% glass fiber
Color	Blue / black
Hydrostatic pressure	22 bar
Working pressure	From 1.5 to 6 bar
Working temperature	From 5° to 40°C

FLOW RATE (3,5 bar inlet - valve alone)

Continuous ($\Delta p = 1 \text{ bar}$)	21 m ³ /h
Peak ($\Delta p = 1.9 \text{ bar}$)	28.9 m ³ /h
Cv *	24.4
Maximum backwash ($\Delta p = 1.9 \text{ bar}$)	12 m ³ /h
Maximum rapid rinse ($\Delta p = 1.9 \text{ bar}$)	15 m ³ /h

* Cv: Flow rate of valve alone in GPM at 0,07 bar pressure drop.

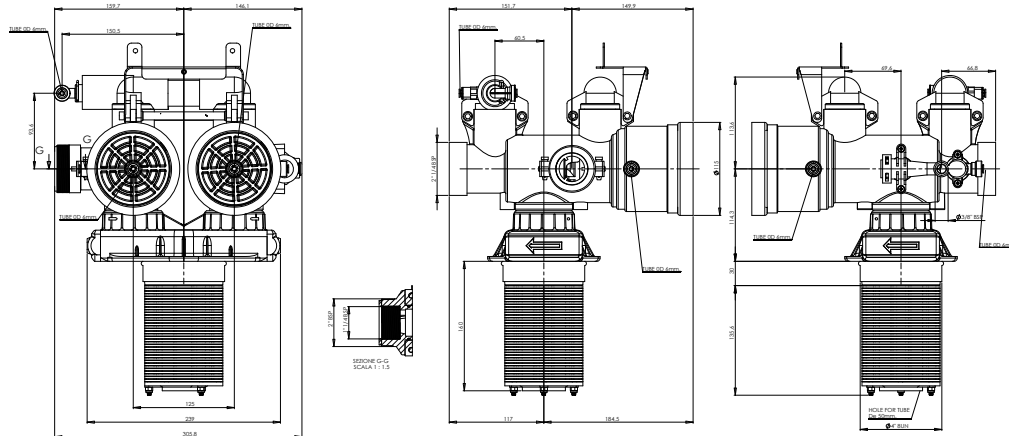
DOWNFLOW REGENERATION

Adjustable cycles	Depending on controller fitted
-------------------	--------------------------------

VALVE CONNECTIONS

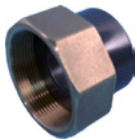
Inlet /outlet	2"¼ - BSP male threaded
Drain line connector	1"½ BSP female - 2" BSP male
Mounting base/Tank connection	4" - 8UN

DIMENSIONS



Inlet/Outlet connection options available

Threaded fittings



- 494-A/05 : dia. 50 mm to glue (PVC-PVC)
- 494-G/05 : 2" BSP male (Brass-Brass)
- 494-H/05 : 1 1/2" BSP female (PVC-PVC)
- 494-P/05 : 1 1/2" BSP female (Brass-Brass)

TANK SIZE APPLICATION (RECOMMENDED)

Water softener	14" - 30" (max 500 L of resin)
Filter	14" - 30" (according to filter media specs)
Demineralisation	14" - 30" (max 500 L of resin)

REGENERATION CYCLES

Softener & Demineralisation

- 1) Backwash (Up flow)
- 2) Brine & slow rinse (Down flow)
- 3) Rapid rinse (Down Flow)

Filter**

- 1) Backwash (Up Flow)
- 2) Rapid rinse (Down Flow)

** Depending on the controller type brine draw and slow rinse time must being set on 0.

OPTIONS

Up Flow regeneration	No
Duplex systems	Yes
External DLFC 1" 1/4	Yes



www.pentairaquaeurope.com